

Savant DigiFlow 6710M-44TM, Panel Mounted Flow Totalizer and Flow Meter

SAVANT ELECTRONICS INC.

2088-3, Sec.1, Huanzhong road, Taichung 40761, Taiwan

Tel : 886 4 2425 5578 Fax : 886 4 2425 0396

Email : savantco@ms65.hinet.net

Website : www.homewaterfilter.com.tw

Features :

- Flow rate indicating
- Flow totalizing up to 99,999 liters, 99,999 gallons
- 3V DC, 110/220 V AC

Application :

- Commercial and Industrial reverse osmosis water filter system

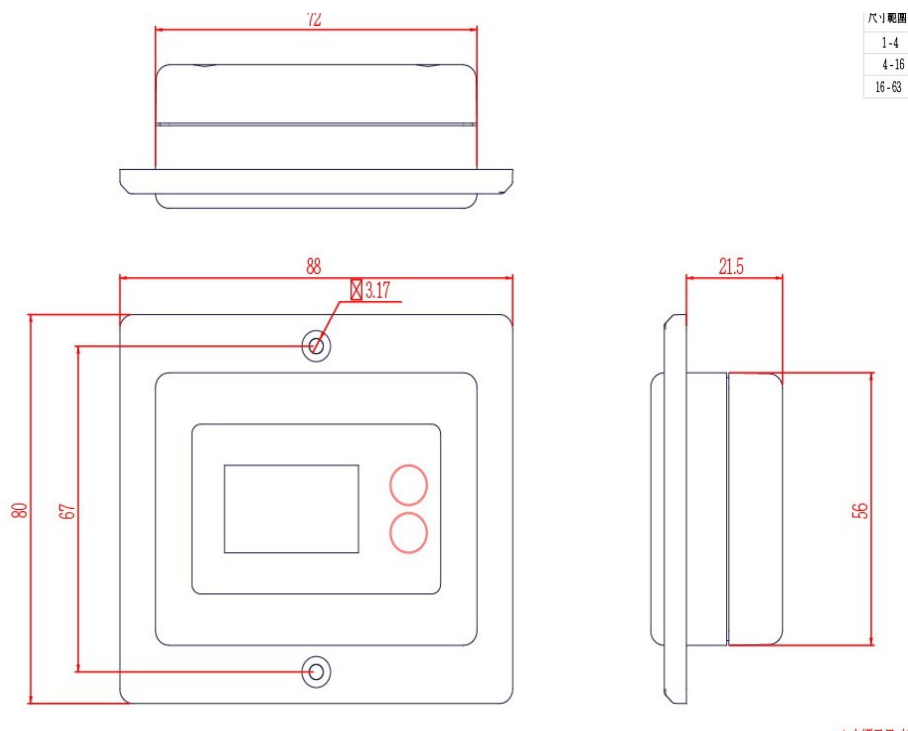


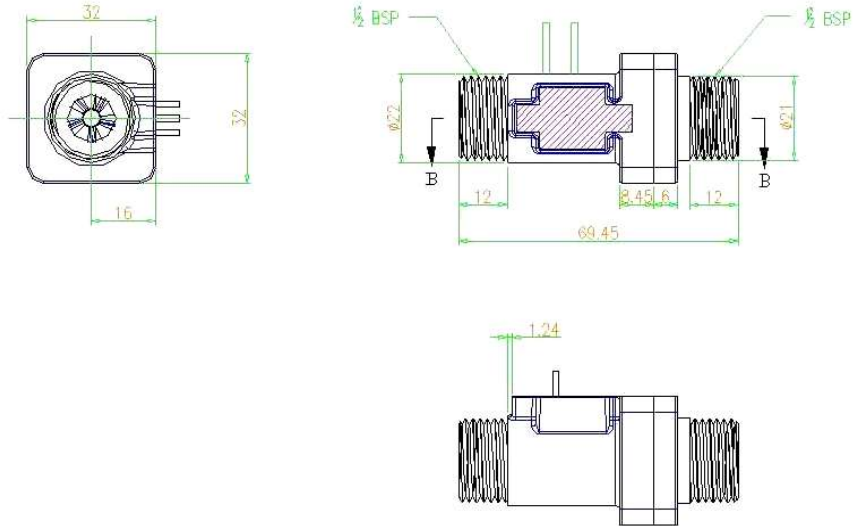
1.0 Electrical :

Operating Voltage : 3 DC Volts, 110/220 V AC (with power adapter)

Operating Current : 4.0 mA (work), 0.015 mA (sleep)

2.0 Mechanic :





3.0 Application :

Installation of flow sensor : Vertical, Horizontal or any angel installation for flow sensor
 Flowing direction :One way
 Flow range : 1.5 – 25 liter/min

4.0 General :

Temperature : 0 to 80°C
 Pressure : Max. 0.8 MPa
 Weight : 140 g
 Accuracy : +/- 5%
 Connection : 1/2" BSP (1/2" NPT is option)
 Material : Flow sensor : PA6 with 50% glass fiber
 Turbine : PA composite
 Turbine holder : Acetal Copolymer (POM)
 Axle of Turbine : #304 stainless steel
 O-Ring : EPDM Rubber
 Control Unit Housing : ABS resin

Operation Guide

5.1 Connecting power

Connecting the power connector of the control unit with 3V DC power. For 110/220 V AC power, connecting the output power of the adapter. .

5.2 Connection of flow sensor

The thread of the DigiFlow 6710M-44TM is 1/2" BSP (1/2" NPT is option).

5.3 Operating

The DigiFlow 6710M-44TM I automatically turns on screen when there is water flowing through the sensor. It automatically turns off in 10 seconds when there is no water flowing.

5.4 Display and mode selection

Press the “DISPLAY” button turns on the screen . Pressing the “DISPLAY” button again could choose to display accumulated flowing volume (flow totalization) or real-time flow rate.

5.5 Reset

Keep pressing the “RESET” button for 4 seconds, the total measuring volume will be reset to be zero.