

# Savant FS-8800H Flow Sensor, 1", Digital Output

SAVANT ELECTRONICS INC.

2088-3, Sec 1., Huanzhong road, Taichung 40761, Taiwan

Tel : 886 4 2425 5578 Fax : 886 4 2425 0396

Email : [savantco@ms65.hinet.net](mailto:savantco@ms65.hinet.net)

Website : [www.digisavant.com](http://www.digisavant.com)

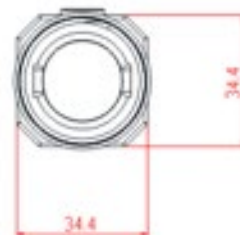
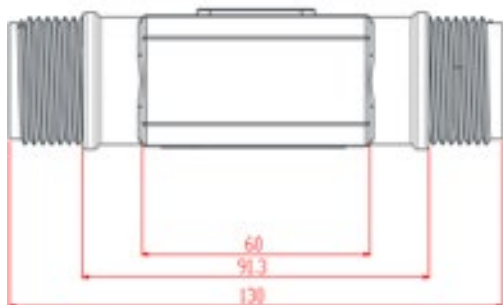
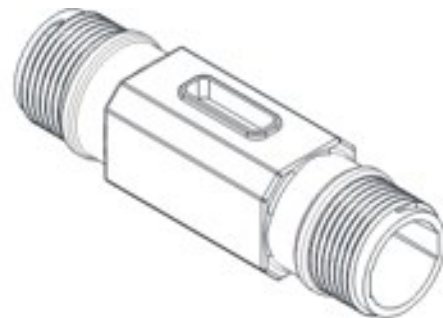
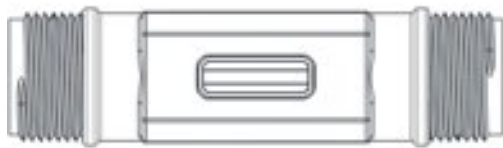
## Features :

- Small and compact dimension
- Easy connection, 1" BSP thread (option : NPT)
- High reliability and durability
- Installation flexibility : vertical or horizontal
- Wide rated voltage : 2.4 to 26 VDC
- Digital output, open collector type



## Application :

- ✓ Water heater, boiler and heat pump



## 1.0 Electrical :

Supply voltage : 2.4 – 26 V DC

Supply current : typical 2.8 mA, maximum 8.0 mA.

Output mode : open collector

Output rise time : typical 1.0 $\mu$ second. maximum 10 $\mu$ second.

Output falling time : typical 0.3 $\mu$ second. maximum 1.5 $\mu$ second.

Wire connection : (Red) : Vdd

(Brown) : Vout

(Black) : Gnd

Connector : JST compatible, Housing : SMR-03V-N, Terminal : SYM-0001T-P0.6

2.0 Flow Rate : 3 - 100 liter/min.

3.0 Calibration : K = 65 (65 pulse per liter)

Accuracy : +/- 7 %

Repeatability : +/- 1.5 %

4.0 General :

Mounting method : Horizontal to Vertical

Connection : 1" BSP male (option : NPT)

Temperature : 0 to 80°C

Working pressure : Max. 1 MPa

Burst pressure : 3 MPa

Materials : Sensor Body : PA6 with 50% glass fiber

Turbine : PA composite

Turbine holder : PA6 with 50% glass fiber

Axle of Turbine : #304 Stainless Steel