

Savant FS-8800 Flow Sensor

SAVANT ELECTRONICS INC.

2088-3, Sec. 1, Huanzhong road, Taichung 40761, Taiwan

Tel : 886 4 2425 5578 Fax : 886 4 2425 0396

Email : savantco@ms65.hinet.net

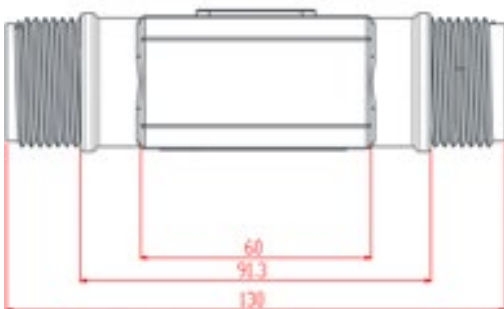
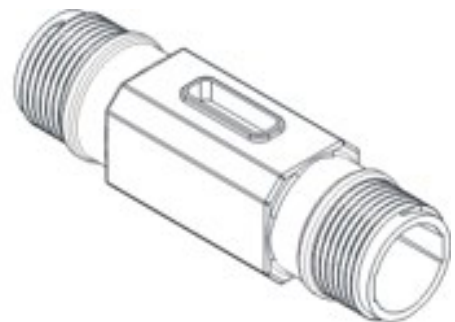
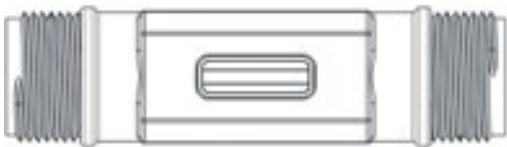
Website : digisavant.com

Features :

- Switch output, very low power consumption
- 1" BSP thread (option for NPT)
- High reliability and durability
- Installation flexibility : vertical or horizontal

Application :

- ✓ Industrial / commercial water treatment system
- ✓ House / Building water consumption monitor



1.0 Electrical :

Switching Voltage : Max. 200 Volts

Switching Current : Max. 0.5 Amps

Carry Current : Max. 1.5 Amps

Switching Frequency : Max. 500 Hz

Contact Resistance : Max. 150 mΩ

2.0 Flow Rate : 3 - 100 liter/min.

3.0 Calibration : 65 pulse per liter

Accuracy : +/- 7 %

Repeatability : +/- 1.5 %

4.0 General :

Mounting method : Horizontal to Vertical

Expected operating life : 3,750,000 liters

Connection : 1" BSP male (NPT is option)

Temperature : 0 to 80°C

Working pressure : Max. 8.0 bar

Burst pressure : 30 Bar

Materials : Sensor Body : PA6 with 50% glass fiber

Turbine : PA composite

Turbine holder : PA6 with 50% glass fiber

Axle of Turbine : #304 Stainless Steel