

Savant FS-6600 Flow Sensor

SAVANT ELECTRONICS INC.

2088-3, Sec. 1, Huanzhong road, Taichung 40761, Taiwan

Tel : 886 4 2425 5578 Fax : 886 4 2425 0396

Email : savantco@ms65.hinet.net

Website : digisavant.com

Features :

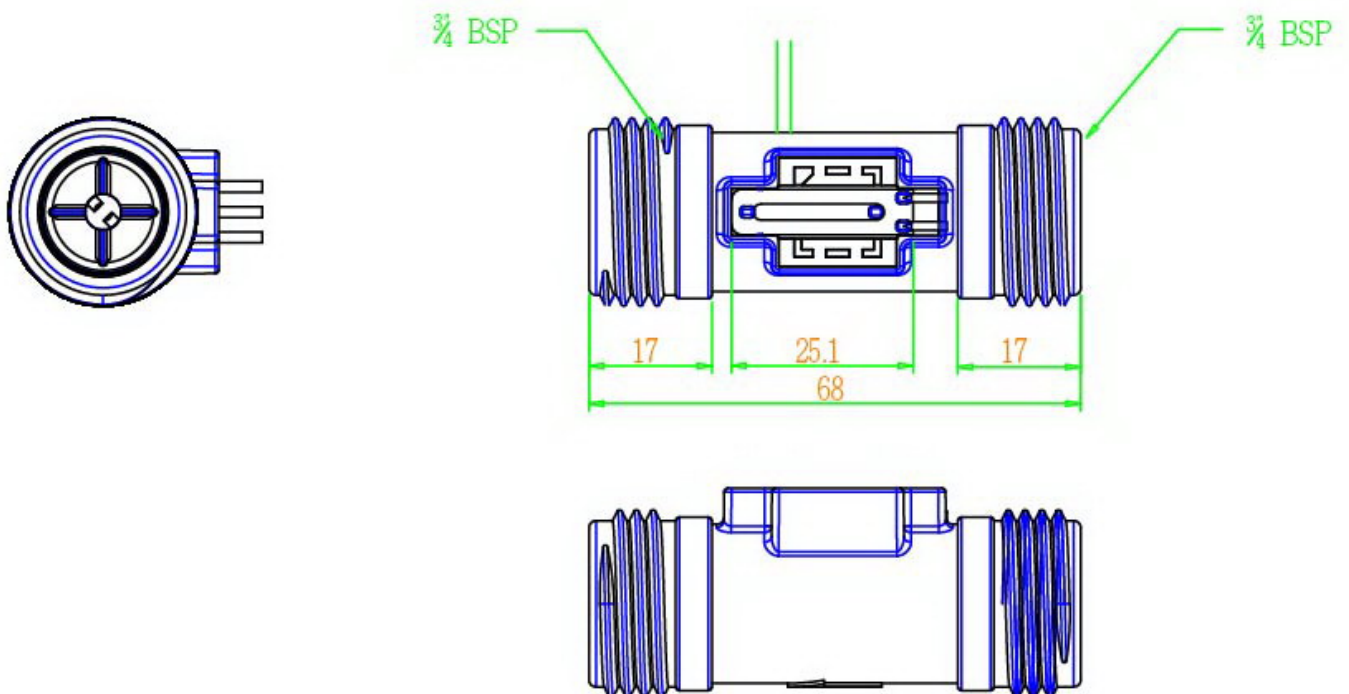
- Switch output, low power consumption
- Small and compact dimension
- Easy connection, 3/4" BSP thread
- High reliability and durability
- Installation flexibility : vertical or horizontal



Application :

- ✓ Water heater, boiler and heat pump

1.0 Mechanism :



2.0 Electrical :

Switching Voltage : Max. 200 Volts
Switching Current : Max. 0.5 Amps
Carry Current : Max. 1.5 Amps
Switching Frequency : Max. 500 Hz
Contact Resistance : Max. 150 mΩ
Life Expectancy : 400,000 liters.

3.0 Application :

Mounting Method : Horizontal to Vertical
Range of Flow Rate : 2 – 60 L/min.
Calibration : $K = 330$ (K = pulse /liter)
Accuracy : +/- 8%
Working pressure : 1MPa
Burst pressure : 3 MPa
Fluid : Cold and Warm water
Fluid temperature : 0 ~ 80°C
Environment temperature : -20 ~ 80°C
Body Materials : PA6 with 50% glass fiber
Turbine holder : Acetal Copolymer (POM)
Turbine : plastic magnet
Turbine shaft : stainless steel (ceramic as option)