

Savant FS-3400A Micro Flow Sensor with Reed Switch

SAVANT ELECTRONICS INC.

2088-3, Huanzhong road, Sec.1, Taichung 40761, Taiwan

Tel : 886 4 2425 5578 Fax : 886 4 2425 0396

Email : savantco@ms65.hinet.net

Website : www.digisavant.com

Features :

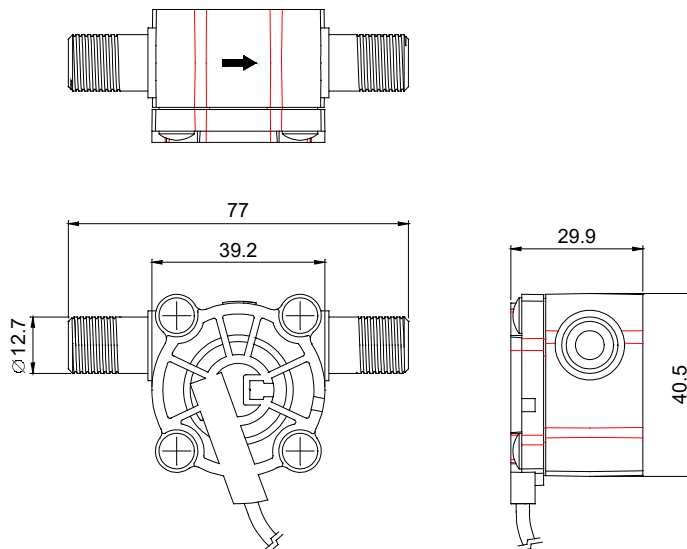
- Accurate and reliable
- Low cost
- Easy installation



Application :

- ✓ Residential and commercial water treatment system
- ✓ Water dispenser
- ✓ Water cooler

1.0 Mechanism :



2.0 Electrical :

Switching Voltage : Max. 200 Volts

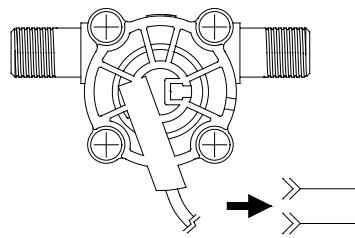
Switching Current : Max. 0.5 Amps

Carry Current : Max. 1.5 Amps

Switching Frequency : Max. 500 Hz

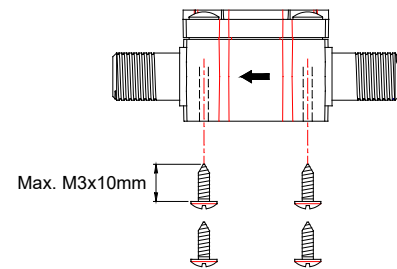
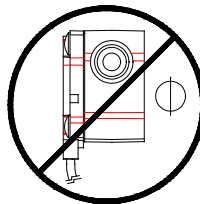
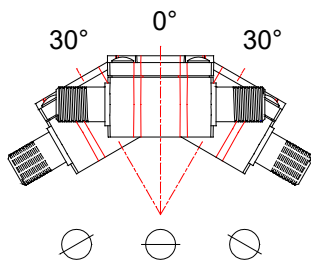
Contact Resistance : Max. 150 mΩ

Wire connection :



3.0 Mounting method

Horizontal mounting, maximum 30 degree lifting.



4.0 Flow Rate : 0.05 – 0.5 liter/min.

5.0 Calibration :

Flow rate (liter/min)	pulse / liter
0.05 – 0.1	1538
0.1 -0.5	1588

Accuracy : +/- 5%

Repeatability : +/- 1%

6.0 General :

Operating life : 500,000 liters

Connection : 1/4" BSP male

Temperature : 0 to 80°C

Working pressure : Max. 8.0 bar

Burst pressure : 30 Bar

Materials : Sensor Body : PA6 with 50% glass fiber

Turbine : Acetal Copolymer (POM)

Stick of Turbine : #304 Stainless Steel

O-Ring : E.P.D.M.