

Savant FS-3200AQ Mini Flow Sensor, Digital Output

SAVANT ELECTRONICS INC.

2088-3, Huanzhong road, Sec.1, Taichung 40761, Taiwan

Tel : 886 4 2425 5578 Fax : 886 4 2425 0396

Email : savantco@ms65.hinet.net

Website : www.digisavant.com



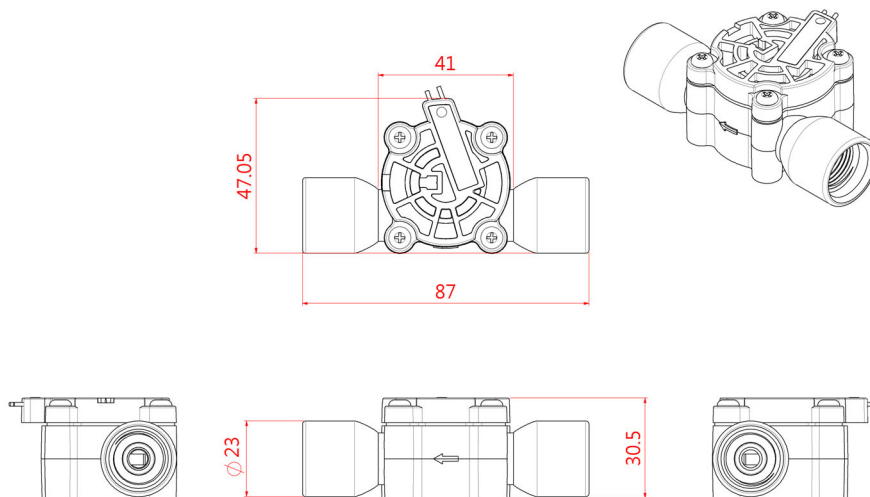
Features :

- Accurate and reliable
- Low cost
- Easy installation

Application :

- ✓ Residential and commercial water treatment system
- ✓ Water dispenser
- ✓ Water cooler

1.0 Mechanism :



Electrical :

Switching Voltage : Max. 200 Volts

Switching Current : Max. 0.5 Amps

Carry Current : Max. 1.5 Amps

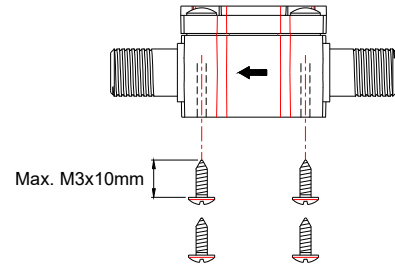
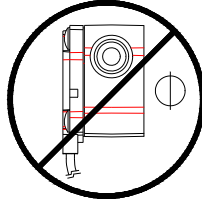
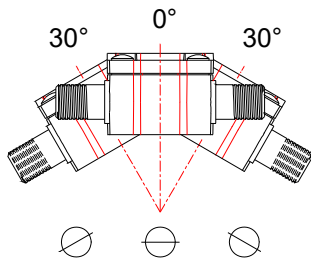
Switching Frequency : Max. 500 Hz

Contact Resistance : Max. 150 mΩ

Life Expectancy : 400,000 liters.

2.0 Mounting method

Horizontal mounting, maximum 30 degree lifting.



3.0 Flow Rate : 0.2 – 5.0 liter/min.

4.0 Calibration : 0.00173 liter/pulse

5.0 Accuracy : +/- 5%

6.0 General :

Connection : 1/4" quick fitting

Temperature : 0 to 80°C

Pressure : Max. 8.0 bar

Materials : Sensor Body : Polyamide 66 with 50% glass fiber

Turbine : Acetal Copolymer (POM), TICONA M90

Stick of Turbine : #304 Stainless Steel

O-Ring : E.P.D.M.