

Savant FS-3200AQH Mini Flow Sensor, Digital Output

SAVANT ELECTRONICS INC.

2088-3, Huanzhong road, Sec.1, Taichung 40761, Taiwan

Tel : 886 4 2425 5578 Fax : 886 4 2425 0396

Email : savantco@ms65.hinet.net

Website : www.digisavant.com



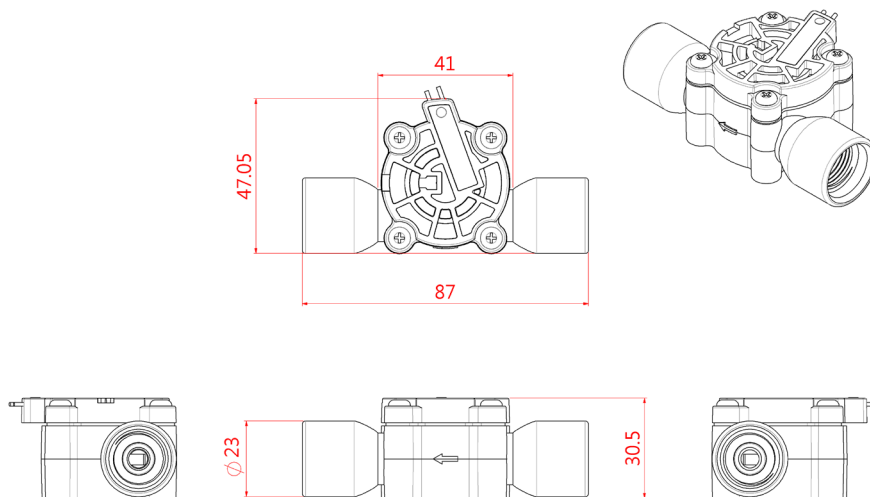
Features :

- Accurate and reliable
- Low cost
- Easy installation

Application :

- ✓ Residential and commercial water treatment system
- ✓ Water dispenser
- ✓ Water cooler

1.0 Mechanism :



Electrical :

Supply voltage : 2.4 – 26 V DC

Supply current : typical 2.8 mA, maximum 8.0 mA.

Output mode : Open collector

Output rise time : typical 1.0μsecond. maximum 10μsecond.

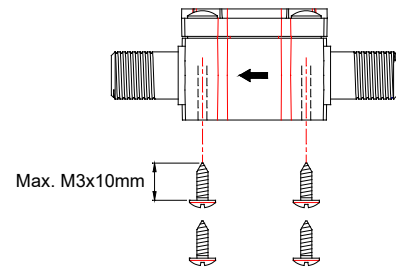
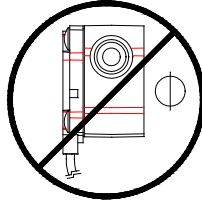
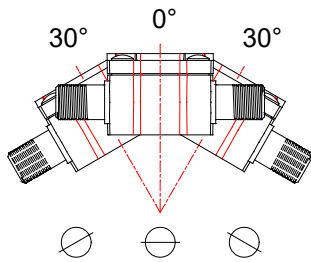
Output falling time : typical 0.3μsecond. maximum 1.5μsecond.

Wire connection : Red → Vdd, Balck → GND, Brown → Vout

Connector : JST compatible Housing : SMR-03V-N, Terminal : SYM-0001T-P0.6

2.0 Mounting method

Horizontal mounting, maximum 30 degree lifting.



3.0 Flow Rate : 0.2 – 5.0 liter/min.

4.0 Calibration : 0.00173 liter/pulse

5.0 Accuracy : +/- 5%

6.0 General :

Connection : 1/4" quick fitting

Temperature : 0 to 80°C

Pressure : Max. 8.0 bar

Materials : Sensor Body : Polyamide 66 with 50% glass fiber

Turbine : Acetal Copolymer (POM), TICONA M90

Stick of Turbine : #304 Stainless Steel

O-Ring : E.P.D.M.