

Savant DigiFlow 6100R-AQ, LCD Display Multi-Filter Monitor, Liter model

SAVANT ELECTRONICS INC.

2088-3, Sec.1, Huanzhong road, Taichung 40761, Taiwan

Tel : 886 4 2425 5578 Fax : 886 4 2425 0396

Email : savantco@ms65.hinet.net

Website : www.digisavant.com

Features :

- Up to 5 filter capacity life monitor, up to 99500 liters or 19900 gallons
- End of filter life alert
- Battery operated, 2 AA batteries
- Low battery power alert
- Automatic data memorized when battery power is off



Application :

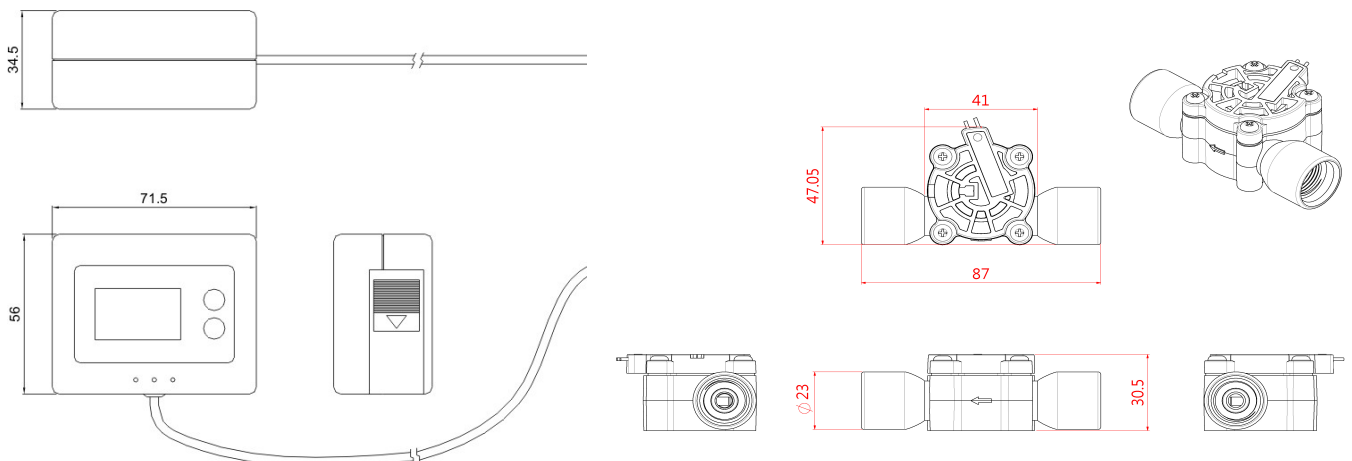
- ✓ Under sink water treatment system
- ✓ Commercial water treatment system
- ✓ Water dispenser

1.0 Electrical :

Operating Voltage : 3 DC Volts

Operating Current : 1.0 mA (work), 0.015 mA (sleep)

2.0 Mechanic :



3.0 Application :

Mounting Method : Refer the following figure

Flowing Direction : One direction

Flow Rate : 0.6 – 8.0 lpm

4.0 General :

Temperature : 0 to 80°C

Working Pressure : Max. 8 bar

Burst pressure : 29 Bar

Weight : 140 g

Accuracy : +/- 5%

Connection : 1/4" OD quick fitting

Cable length : 1.5 meter

Materials : Sensor Body : PA6 with 50% glass fiber

Turbine : Acetal Copolymer

Stick of Turbine : #304 Stainless Steel

O-Ring : EPDM Rubber

Control unit case : ABS

5.0 Operation Guide

5.1 Install Batteries

Slide off the cover case of the battery room, and put into 2 AA batteries. Then slide the cover case back.

5.2 Connecting Fitting

The specification of the DigiFlow 6100R-AQ connectors is 1/4" OD quick fitting.

5.3 Setting Filter Capacity

Keep pressing DISPLAY button, then press RESET button and then release both of the buttons. The DigiFlow 6100R will go into programming procedure. The digit on the LCD blinks "FLT 1" four times, then blinks " OFF" to notify you that the programming procedure is on. Press DISPLAY button to choose the right capacity value. The sequence is OFF - 0 -500 - 1000 --- 99500 - OFF - 0 - 500. Then press RESET button to save the filter capacity value. Then the programming procedure goes to program the capacity of the second filter, and the LCD blinks "FLT 2".. Follow the above to program up to five filters.

* If the value is chosen as "OFF", the monitor function of the dedicated filter will be disable.

5.4 Operating

The DigiFlow 6100R-AQ automatically turns on when water flows through the sensor. It automatically turns off in 10 seconds when there is no water flowing. The default display of the DigiFlow 6100R-AQ is the total flowing volume .

5.5 Check Filter Remaining Capacity

Pressing DISPLAY button displays the remaining capacity of each filter. The DigiFlow 6100R-AQ blinks the remaining capacity of each programmed filter twice. For example, the “FLT 1” is displayed, then “ 988 ltr”, then “ FLT 2” After displays all of the remaining capacity of each filter, the DigiFlow 6100R goes back to display the total flowing volume (default display).

5.6 End o Life Alert

When one or more of the remaining capacity reaches 0 liter, The DigiFlow 61000R-AQ generates an audible alert, and display filter number, like “ FLT 2” to notify user to change the filter cartridge.

Pressing RESET button reset the remaining capacity to the original programmable value, and the alert status is released.

5.7 Low Battery Power Alert

When the battery power is lower than the normal working level, the DigiFlow 6100R-AQ generates an audible alert and blink the empty battery symbol on the LCD to notify user to change the batteries. The alert is released when the batteries are replaced by new batteries.

All of the data is memorized on electronic device when the power is off. The data is restored when the power is on again.