

# Savant Combo Meter ES082L-AQ, Flow Capacity, Elapse Time, TDS & Conductivity Monitor

SAVANT ELECTRONICS INC.

2088-3, Sec.1, Huanzhong road, Taichung 40761, Taiwan

Tel : 886 4 2425 5578 Fax : 886 4 2425 0396

Email : [savantco@ms65.hinet.net](mailto:savantco@ms65.hinet.net)

Website : [www.homewaterfilter.com.tw](http://www.homewaterfilter.com.tw)

## Features :

- Capacity life monitor, from 100 to 99,900 liters
- Elapse time monitor, from 30 to 720 days
- TDS or Conductivity monitor, from 10 to 300 ppm(uS/cm)
- End of capacity and elapse time alert
- Battery operated, 2 AA alkaline batteries
- Low battery power alert
- Automatic data memorized when battery power is off



## Application :

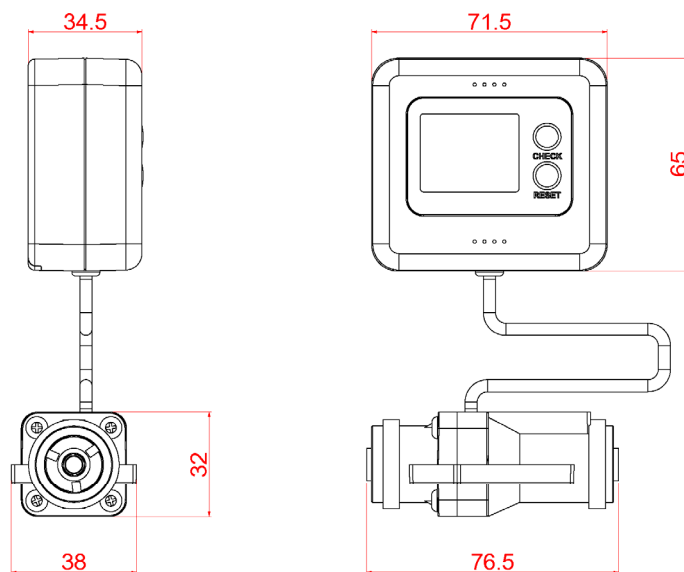
- . Residential & commercial reverse osmosis water filter system
- . Residential & commercial water softener

## 1.0 Electrical :

Operating Voltage : 3 DC Volts

Operating Current : 4.0 mA (work), 0.03mA (sleep)

## 2.0 Mechanic :



ES082

### 3.0 General :

Flowing Direction : Bi-Direction

Flow Rate : 1.2 - 12 liter/min.

Temperature : 0 – 40 °C

Pressure : 0.5 – 8 bar

Flow accuracy : +/- 7%

TDS accuracy : +/- 7%

Connection : 1/4" OD quick fitting

### 4.0 Wet Part Materials:

Sensor Body : Acetal Copolymer

Turbine : Acetal Copolymer and Plastic Magnet

Shaft: #304 Stainless Steel

O-Ring : EPDM Rubber

### 5.0 Operation Guide :

#### 5.1 Install Batteries

Slide off the cover case of the battery room, and put into 2 AA batteries. Then slide the cover case back.

#### 5.2 Switching between TDS and Conductivity

Keep pressing the CHECK button during install batteries. Wait until the screen shuts off to save the change.

#### 5.3 Connecting

The connection of the ES082L-AQ combo meter is 1/4" OD quick fitting.

#### 5.4 Setting Capacity, Elapse Time and TDS or Conductivity Monitor

Keep pressing the CHECK button, then press the RESET button, then release both of the buttons when the "OFF" blinks on the screen.

##### Setting Capacity

Press the CHECK button to choose the capacity from 100 to 99900 liters.

The sequence is OFF - 0 – 100 – 200 – 300 ..... 99800 – 99900 – OFF – 0 –100.

Then press RESET button to save the capacity. Keep pressing the "CHECK" button could accelerate the value increment. After the capacity is saved, then goes into elapse time setting.

### Setting Elapse Time

Press the CHECK button to choose the elapse time from 30 to 720 days.

The sequence is OFF - 0 - 30 - 60 - 90 ..... 690 - 720 - OFF - 0 -30. Then press the RESET to save the elapse time. After the elapse time is saved, then goes into TDS setting.

### Setting TDS or Conductivity

Press the CHECK button to choose the TDS or conductivity from 10 to 300 ppm or uS/cm. The sequence is OFF - 0 - 10 - 20 ..... 290 - 300 - OFF - 0 -10. Then press the RESET to save the TDS or conductivity.

The setting procedure will be terminated, and goes back to the original status if there is no input for 10 seconds.

### 5.5 Operating

The ES082L-AQ will be automatically turned on when there is water flowing through the sensor. It will automatically turn off in 10 seconds when there is no water flowing. The TDS or conductivity is measured every 30 liters.

### 5.6 Mode Selection

Press the CHECK button is to check the residual capacity or elapse time. The measured TDS or conductivity is showed on the upper line.

### 5.7 Alert

#### Near End of Capacity & Elapse Time Alert

When there is water flowing and the residual capacity or elapse time less than 100 liters or 7 days, the buzzer will beep once and the digits on the screen will blink to notify user.

#### End of Capacity and Elapse Time Alert

When there is water flowing and the residual capacity reaches 0 liters or elapse time reaches 0 day, the buzzer will beep twice and the screen will blink to notify user.

#### Over TDS or conductivity value Alert

When there is water flowing and the measured TDS or conductivity is over the setting value, the buzzer will beep twice and the digits on the screen will blink to notice user.

### 5.8 Reset for Residual Capacity & Elapse Time

Keep pressing the RESET button for 2 seconds will reset the residual capacity and elapse time to the setting value.

### 5.9 Release for over TDS or conductivity value

The alert can NOT be released until the measured TDS or conductivity value is under the setting value.

### 5.10 Low Battery Power Alert

When the battery power is low, the buzzer will beep once and the empty battery icon on the screen will blink to notify user. Once the batteries are replaced, the alert will be released. The data will be kept in memory and stored back after batteries are replaced.