

Savant FS-3000A Flow Sensor

SAVANT ELECTRONICS INC.

2088-3, Huanzhong road, Sec.3, Taichung 40761, Taiwan

Tel : 886 4 2425 5578 Fax : 886 4 2425 0396

Email : savantco@ms65.hinet.net

Website : www.digisavant.com



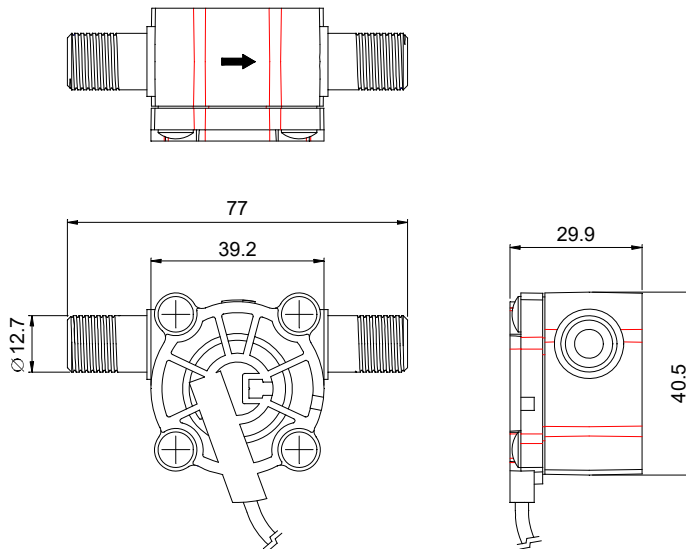
Features :

- Accurate and reliable
- Low cost
- Easy installation

Application :

- ✓ Residential and commercial water treatment system
- ✓ Water dispenser
- ✓ Water cooler

1.0 Mechanism :



2.0 Electrical :

Switching Voltage : Max. 200 Volts

Switching Current : Max. 0.5 Amps

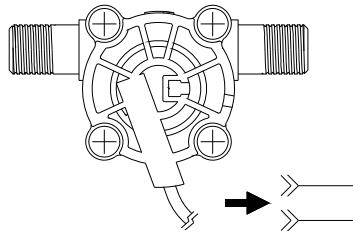
Carry Current : Max. 1.5 Amps

Switching Frequency : Max. 500 Hz

Contact Resistance : Max. 150 mΩ

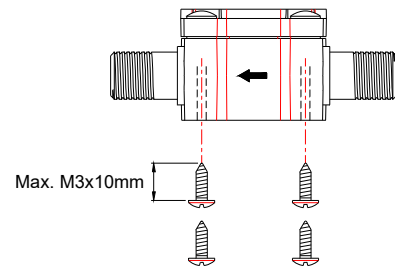
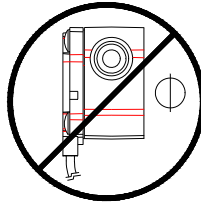
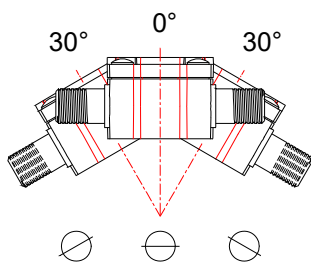
Life Expectancy : 400,000 liters.

Wire connection :



3.0 Mounting method

Horizontal mounting ONLY, maximum 30 degree lifting.



4.0 Flow Rate : 0.6 – 8.0 liter/min.

5.0 Calibration :

Flow rate (liter/min.)	Liter per pulse (liter)
0.6 – 1.0	0.0039
1.0 – 2.5	0.0040
2.5 – 8.0	0.0041

Accuracy : +/- 5%

6.0 General :

Connection : 1/4" BSP male

Temperature : 0 to 80°C

Pressure : Max. 8.0 bar (112 psi)

Accuracy : +/- 5%

Materials : Sensor Body : PA6 with 50% glass fiber

Turbine : Acetal Copolymer (POM)

Stick of Turbine : #304 Stainless Steel

O-Ring : E.P.D.M.