

Savant AS-420BR, Water Leak Blocker with Auto Shut Off Valve

SAVANT ELECTRONICS INC.

2088-3, Sec.1. Huanzhong road, Taichung 40761, Taiwan

Tel : 886 4 2425 5578 Fax : 886 4 2425 0396

Email : savantco@ms65.hinet.net

Website : www.digisavant.com

Features :

- Brass solenoid valve
- Auto shut off water when water leak is detected
- 9V alkaline battery operated
- Auto shut off when low battery power
- Easy installation
- Protection for water filter, water softener



1.0 Specification :

Operating voltage : 9V DC

Supply current : typical 1.0 mA, maximum 15.0 mA.

Cable length : 1.5 M for solenoid valve cord

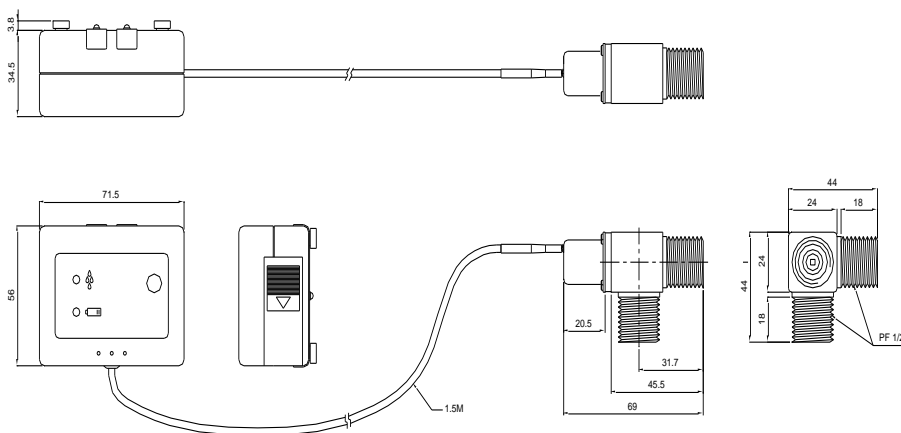
Connecting : 1/2" BSP male-female nut

Water leak detecting method : Control unit with detecting metal put on the floor near water filter

Environment temperature : -20 ~ 80°C

Maximum Pressure : 6 Bar

Mechanism :

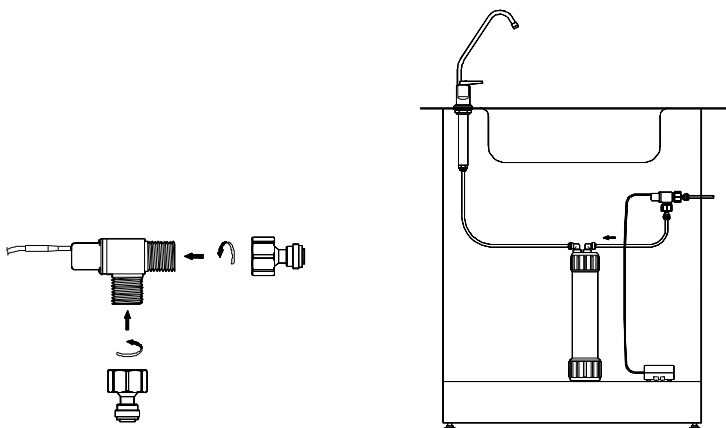


2.0 Operating Instruction

2.1 Installation

Install the proper fitting with the solenoid valve. The thread of solenoid valve is 1/2" BSP male. Then connect the inlet tube of the water treatment system with the solenoid valve.

Then put the AS-420BR control unit on the lowest position of the floor which is near the water filtration system. If the floor is made of metal, please put a paper or cloth between the floor and the AS-420 control unit.



2.2 Battery installation

Slide off the battery cover on the right side of the control box. Installing the 9V alkaline battery. Please be noticed that the AS-420BR could be powered only by 9V **alkaline** battery. Other battery may not activate the AS-420BR functionally.

After the battery is well installed. The AS-420BR will generate a long beep sound, and all of the light turns on for 3 seconds. Then the filter light (top one) will blink several times to indicate the elapse time. Then the AS-420BR start monitoring filter life and leak.

| | |
|---------|----------|
| 1 time | 90 days |
| 2 times | 180 days |
| 3 times | 270 days |
| 4 times | 360 days |

2.3 Checking filter life

Press the button could check the filter life, the light turns on for 3 seconds to indicate the filter life status

| Color | Remaining Days |
|--------|----------------|
| Green | > 14 days |
| Orange | 1 – 14 days |
| Red | =< 0 day |

2.4 Near end of filter life alert

The AS-420BR will generate 5 “beep-beep” sounds, and blink orange light every 15 minutes to notify users when the filter life is less than 14 days.

Pressing button will terminate the “beep-beep” sound alert for 2 days. The AS-420BR continues to alert in 2 days.

2.5 End of filter life alert

The AS-420BR will generate 5 “beep-beep-beep” sounds, and blink red light every 15 minutes to notify users when the filter life is less than 14 days.

Pressing button will terminate the “beep-beep” sound alert for 2 days. The AS-420BR continues to alert in 2 days.

2.6 Reset the filter life monitor

Keep pressing button for 4 seconds, the AS-420BR will reset the remaining days to be the original setting days.

2.7 Water leak alert

The control unit shuts and activates solenoid valve to shut off the inlet tube of the water treatment system to block water flow, and generates an acoustic signal, “beep-beep”, and blinks the blue light continuously to notify the water leak is detected.

2.8 Reset water leak alert

After solving the leak problem, keep pressing the button for 4 seconds, the AS-420BR generates a long beep sound, and turns on the solenoid valve again.

2.9 Low power alert and shut off

When the battery power is low, the AS-420BR shuts off the solenoid valve, blinks yellow light and generates a “beep” sound every 2 seconds to notify user. Replacing a new 9V alkaline battery will release the alert and turn on the solenoid valve.