

Savant DigiFlow 8800T, Digital Filter Monitor

SAVANT ELECTRONICS INC.

1670-3, Sec.1, Huanzhong road, Taichung 40761, Taiwan

Tel : 886 4 2425 5578 Fax : 886 4 2425 0396

Email : savantco@ms65.hinet.net

Website : www.homewaterfilter.com.tw

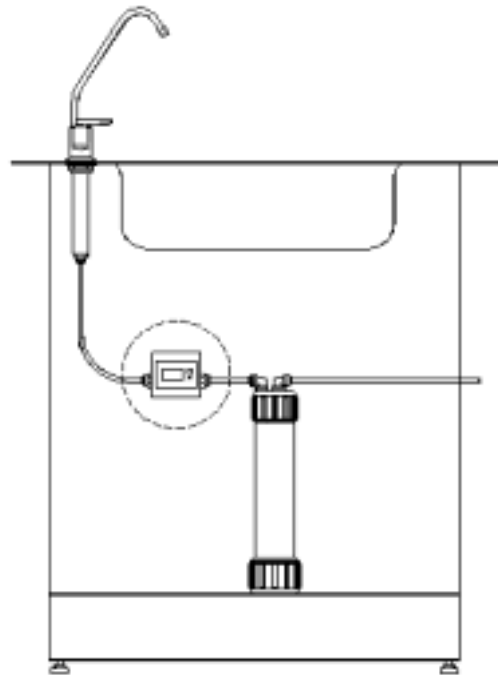
Features :

- Pre-programmed capacity monitoring from 100 to 10,000 gallons.
- End of filter life alert
- Battery operated, 2 AAA batteries
- Low battery power alert
- Automatic data memorized when battery power is off



Application :

- ✓ Under sink water treatment system
- ✓ Counter top water treatment system
- ✓ Commercial water treatment system
- ✓ Water dispenser

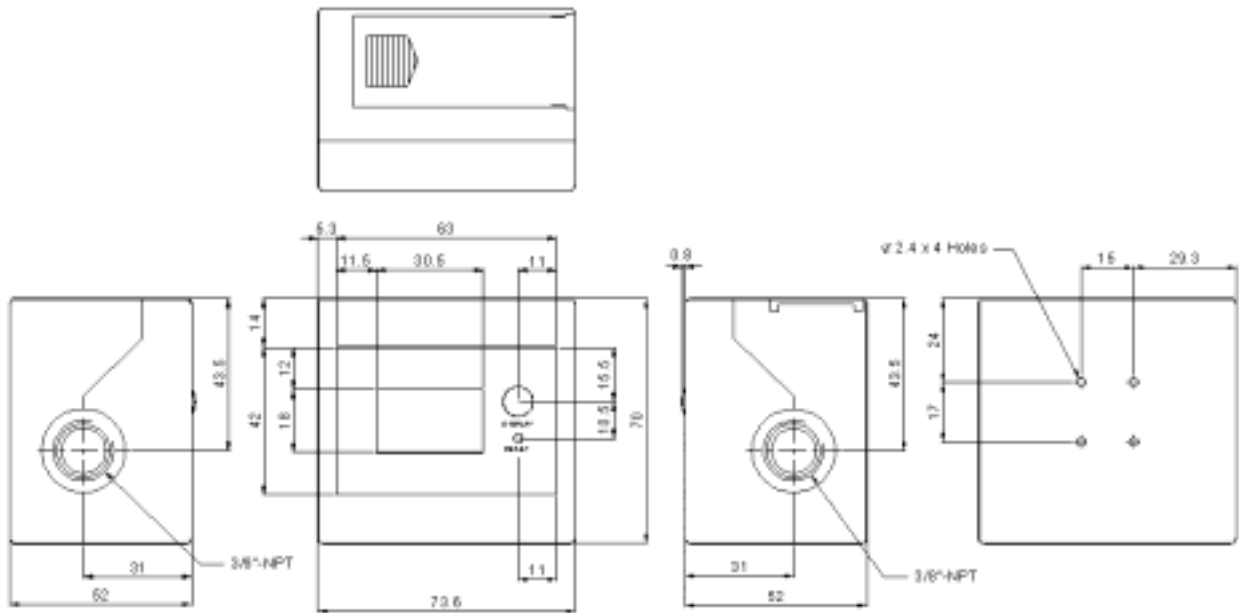


1.0 Electrical :

Operating Voltage : 3 DC Volts

Operating Current : 1.0 mA (work), 0.015 mA (sleep)

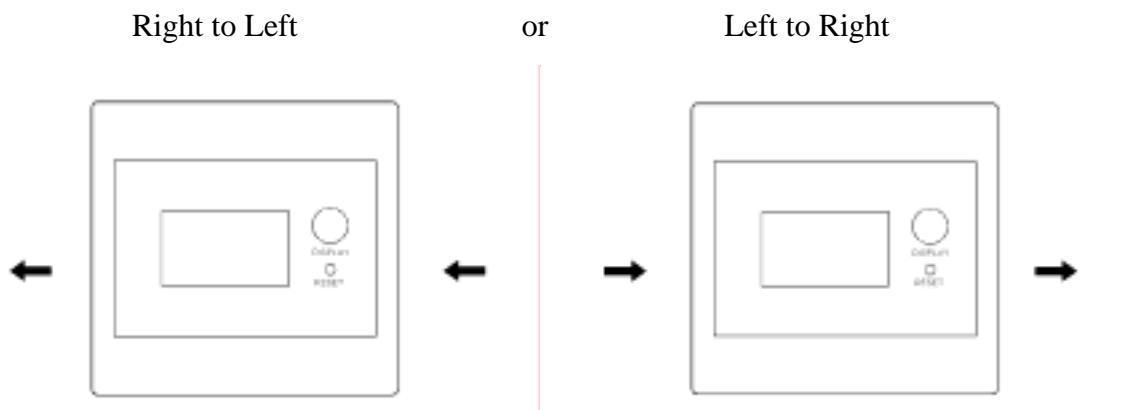
2.0 Mechanic :



3.0 Application :

Mounting Method : Back Mount

Flowing Direction : Bi-Direction



Flow Rate : Max. 3.72 gpm, 14.1 lpm

Min. 0.40 gpm, 1.5 lpm

4.0 General :

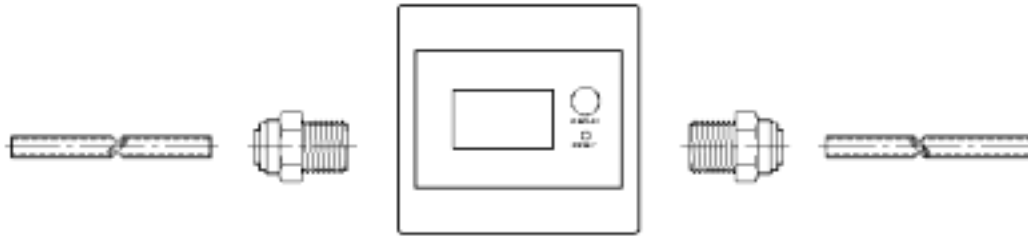
Temperature : 0 to 40 (32 to 104)

Pressure : Max. 6.0 bar (85 psi)

Weight : 140 g (5.38 oz)

Accuracy : +/- 10%

Connection : 3/8 inch NPT Female



Materials : Sensor Body : Acetal Copolymer, TICONA M90

Turbine : Acetal Copolymer, TICONA M90

Stick of Turbine : #304 Stainless Steel

O-Ring : EPDM Rubber

Housing : ABS resin

5.0 Operation Guide

5.1 Install Batteries

Slide off the cover case of the battery room, and put into 2 AAA batteries.

5.2 Connecting Fitting

The specification of the DigiFlow 8800T connectors is 3/8" NPT female. You could use any 3/8" NPT male connectors.

5.3 Operating

The DigiFlow 8800T will be automatically turn on when there is water flowing through the sensor. It will automatically turn off in 10 seconds when there is no water flowing through it. The programmed capacity will gradually be deducted until it reaches zero.

5.4 End of Life Alert

When filter remaining capacity reaches zero gallon, the buzzer will beep twice and the digit will blink to notice user that the filter cartridge is in its end of life, and out of function.

5.5 Reset

After change the filter cartridge, keep pressing the button for 4 seconds. The DigiFlow 8800T will be reset the remaining capacity form zero to be programmed capacity.

5.6 Low Battery Power Alert

When the battery power lower than normal working level, the buzzer will beep twice to notice and the battery symbol on the screen will blink to notice user to change the battery. Once the batteries are replaced, the alert will be released. The data will be kept in memory and stored back when user replace the batteries.